



PRODUCT DESCRIPTION

Inglenook is a transitional style collection from Maxim Lighting International in Burnished with Iridescent glass.

FINISHES OPTION

Navaho White NW



MATERIAL

Stainless Steel + Art Glass

RATINGS

cETLusWet Location
Dimmable



ADDITIONAL

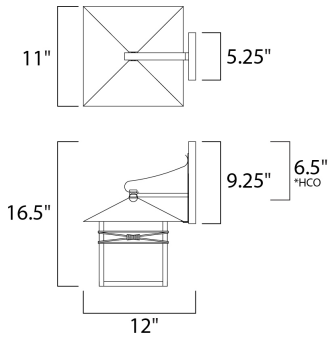
INSTALL UP/DOWN:
RATED LIFE 2500 Hours
OPERATING TEMPERATURE:
-20°C (-4°F), 40°C (104°F)

MEASUREMENTS

DIMENSION : 11." W x 16.5" H x 12." Ext
BACK PLATE : 5.25" W x 9.25" H x 6.5" HCO
HANGING WEIGHT : 6.16 lb

LAMPING

LUMENS : 1,150 Rated (0 Del.)
BULB : 1 x 60W (NOT INCLUDED), 60W Total
DIMMABLE : Dimmable
COLOR_TEMP : 2700K



*height from center of outlet to the top of the fixture

Always consult a qualified electrician before installing any lighting product.



WESTERN DISTRIBUTION CENTER (HEADQUARTER)
253 NORTH VINELAND AVE | CITY OF INDUSTRY, CA 91746
EASTERN DISTRIBUTION CENTER
4200 SHIRLEY DR. | ATLANTA, GA 30336
P. 626.956.4200 | F. 626.956.4225 | maximlighting.com