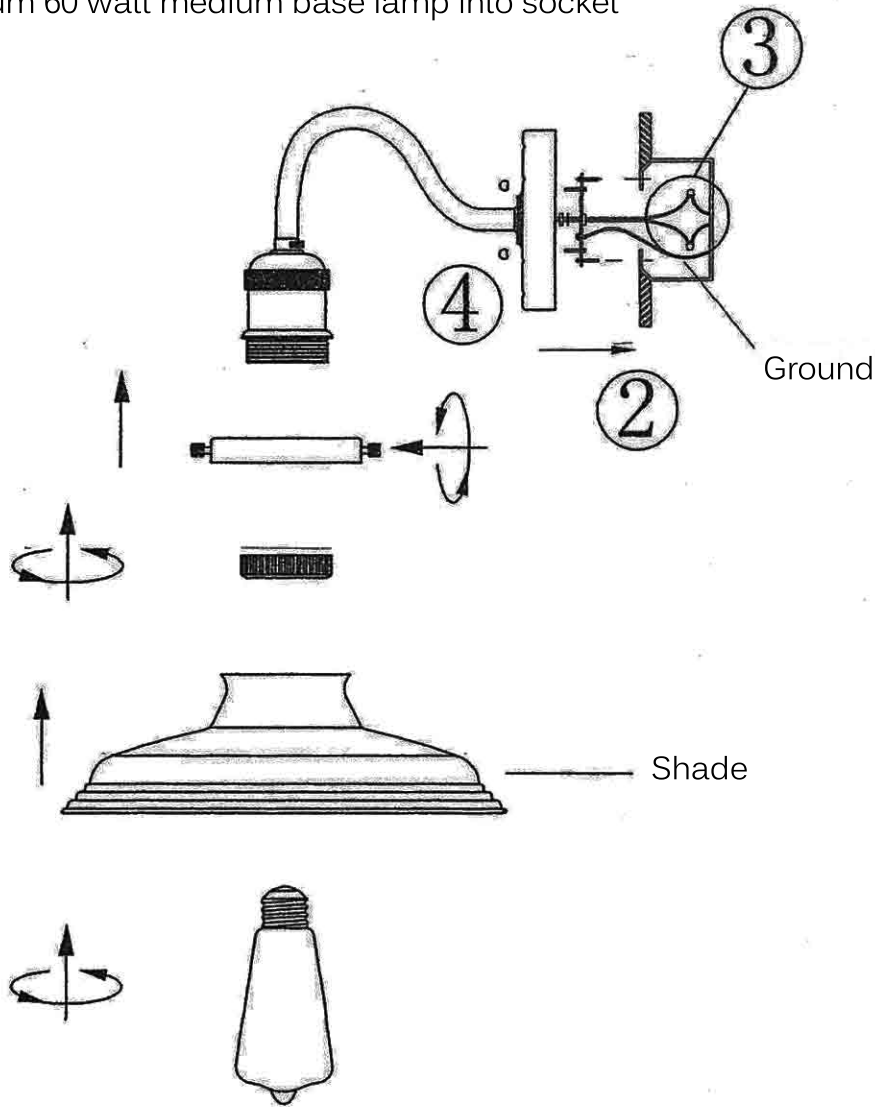


1. Turn breaker off in outlet where fixture will be installed
2. Remove mounting bracket from fixture and install to electrical box
3. Wire fixture to wires in outlet box.
Green wire is for Ground
4. Install fixture to back-plate and tighten the ring where the fixture meets the wall
5. Install maximum 60 watt medium base lamp into socket



Shade:

 <p>SHD2505</p>	 <p>SHD2507</p>	 <p>GLS2511</p>	 <p>GLS2513</p>	 <p>GLS2515</p>
--	--	--	---	--