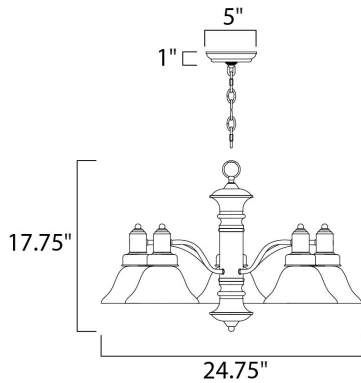




PRODUCT DESCRIPTION

Newburg is a traditional, early American style collection from Maxim Lighting International in multiple finishes and glass types.



MEASUREMENTS

DIMENSION : 24.75" L x 24.75" W x 17.75" H
 CANOPY : 5." W x 1." H x 5." L
 HANGING WEIGHT : 13.45 lb

LAMPING

INPUT VOLTAGE : 120V
 LUMENS : 5,750 Rated (0 Del.)
 BULB : 5 x 60W (NOT INCLUDED), 300W Total
 DIMMABLE : Dimmable

FINISHES OPTION

Oil Rubbed Bronze Ol



GLASS

Marble MR

MATERIAL

Steel + Glass

RATINGS

cETLusDry Location
 Dimmable



ADDITIONAL

ADJUSTABLE
 INSTALL UP/DOWN:
 RATED LIFE 2500 Hours
 OPERATING TEMPERATURE:
 -20°C (-4°F), 40°C (104°F)

Always consult a qualified electrician before installing any lighting product.



WESTERN DISTRIBUTION CENTER (HEADQUARTER)
 253 NORTH VINELAND AVE | CITY OF INDUSTRY, CA 91746
EASTERN DISTRIBUTION CENTER
 4200 SHIRLEY DR. | ATLANTA, GA 30336
 P. 626.956.4200 | F. 626.956.4225 | maximlighting.com