



KALCO.
Handcrafted Since 1980

ASSEMBLY & INSTALLATION INSTRUCTIONS

MODEL: 6616
OAKHAM 1 LIGHT ADA WALL SCONCE

I M A G E



If you have any questions or problems assembling your fixture please call us for assistance.

Customer Service: (702) 361-4345 or (800) 525-2655
customer.services@kalco.com

WARNING! TO REDUCE THE RISK OF FIRE OR INJURY PLEASE TAKE PRECAUTION AND FOLLOW THE STEPS BELOW.

1. If you are unfamiliar with electrical wiring, call a qualified electrician to install this unit. More than one person may be necessary to install fixture, make sure you have enough qualified help.
2. Turn off the power to the fixture's circuit at the service panel. Use a voltage detector to verify that the power is off.
3. DO NOT install bulb which exceeds the maximum wattage specified on the socket label.

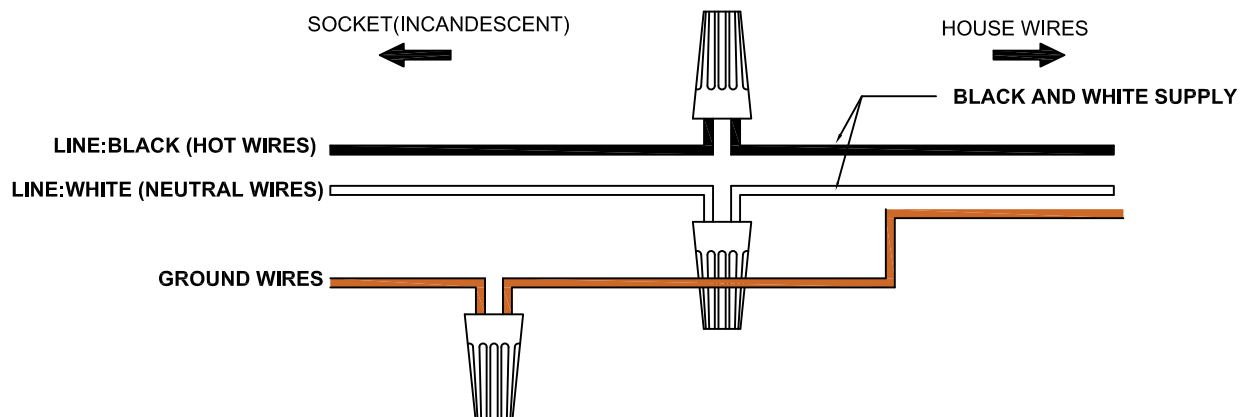
Si vous avez des questions ou des problèmes assemblage de votre dispositif s'il vous plait appel pour l'assistance.

Customer Service: (702) 361-4345 or (800) 525-2655
customer.services@kalco.com

AVERTISSEMENT! POUR RÉDUIRE LES RISQUES D'INCENDIE OU DE BLESSURES S'IL VOUS PLAÎT PRENDRE DES PRÉCAUTIONS ET SUIVEZ LES ÉTAPES CI-DESSOUS.

1. Si vous n'êtes pas familier avec le câblage électrique, appelez un électricien qualifié pour installer cet appareil. Plus d'une personne peut être nécessaire d'installer appareil, assurez vous que vous disposez de l'aide assez qualifié.
2. Coupez l'alimentation au circuit de l'appareil sur le tableau de service. Utiliser un détecteur de tension pour vérifier que l'alimentation est coupée
3. NE PAS installer l'ampoule qui excède la puissance maximale indiquée sur l'étiquette du socket.

WIRING DIAGRAM



ASSEMBLY & INSTALLATION INSTRUCTIONS

MODEL: 6616
OAKHAM 1 LIGHT ADA WALL SCNCE

MOUNTING

STEP 1: Fasten nipple into mounting plate so that they extend away from the wall when the mounting plate is installed. lock in place using the hex nut & washer provided.

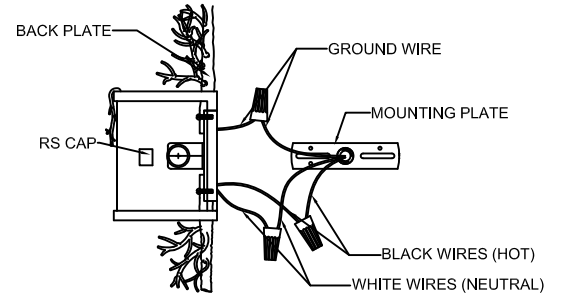
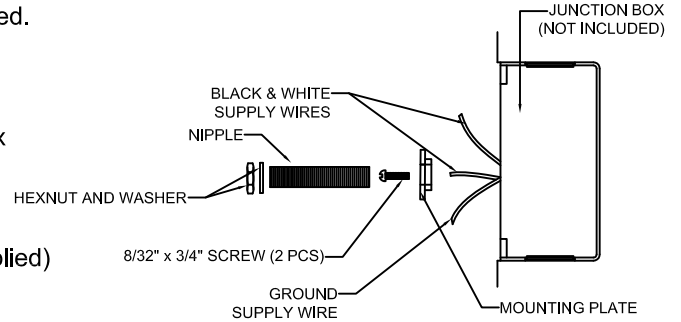
STEP 2: Attach mounting plate to outlet box with the (2) 8-32 x 3/4" screws.

STEP 3: Connect bare ground wire from the outlet box (if supplied) with connectors.

STEP 4: Refer to wiring diagram. With carefully threaded thru back plate, connect the black supply wire to the black fixture wire with wire connector, connect the white supply wire to the white fixture wire with wire connector

STEP 5: Carefully tuck all wires into outlet box ensuring that there are no wires pinched between the back plate and wall.

STEP 6: Lock in place using the RS Cap provided.



FRAME/COMPONENTS ASSEMBLY

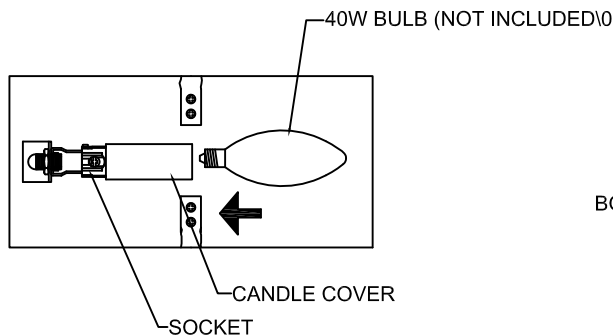


FIGURE: 1 - 1

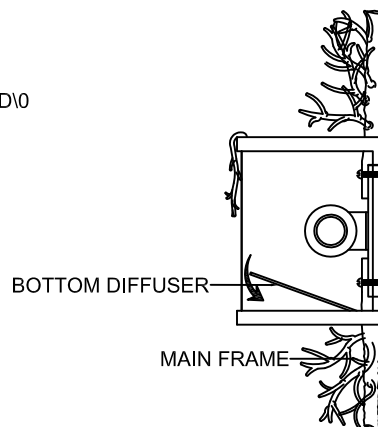


FIGURE: 1 - 2

STEP 7: Insert the candle cover to the socket. Install the bulb, do not use bulbs that exceed 40 Watts. See figure 1 - 1.

STEP 8: Attach the bottom diffuser in the main frame. See figure 1 - 2.

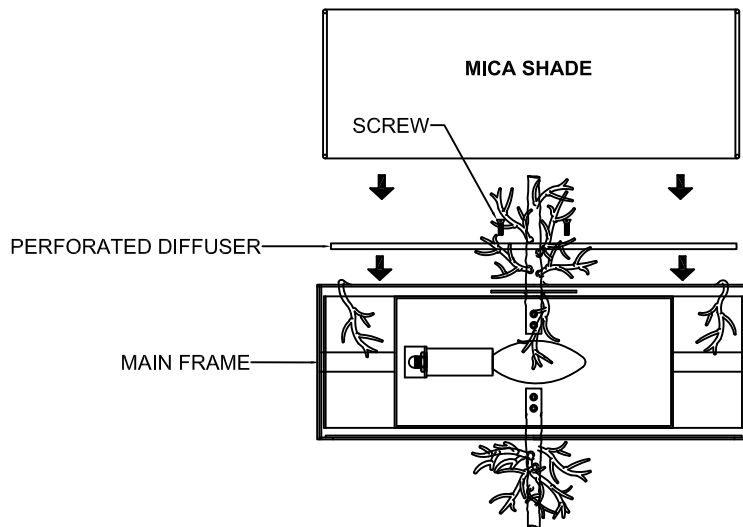


KALCO.
Handcrafted Since 1980

ASSEMBLY & INSTALLATION INSTRUCTIONS

MODEL: 6616
OAKHAM 1 LIGHT ADA WALL SCNCE

FRAME/COMPONENTS ASSEMBLY



STEP 9: Attach the perforated diffuser., Lock it using screw.

STEP 10: Insert the mica shade into fixture frame as shown.

LIGHTING MAINTENANCE:

- Regular cleaning of fixture with proper and gentle care using a soft duster, soft lint-free or damp cloth is recommended.
- Refrain from using harsh cleaning liquids that may cause chemical reaction on the hand painted finishes.
- Always refer to the Assembly Instruction before removing any components.
- **HANDLE WITH CARE.**



KALCO
Handcrafted Since 1980

ASSEMBLY & INSTALLATION INSTRUCTIONS

MODEL: 6616
OAKHAM 1 LIGHT ADA WALL SCONCE

PARTS LIST

| IMAGE | PARTS NAME | QTY |
|-------------------------------------------------------------------------------------|-----------------|-------|
|  | X1 Parts Bag | 1 PC |
|  | Screw | 2 PCs |
|  | Threaded Nipple | 1 PC |
|  | Star Washer | 1 PC |
|  | Hex Nut | 1 PC |
|  | RS CAP | 1 PC |
|  | Candle Cover | 1 PC |